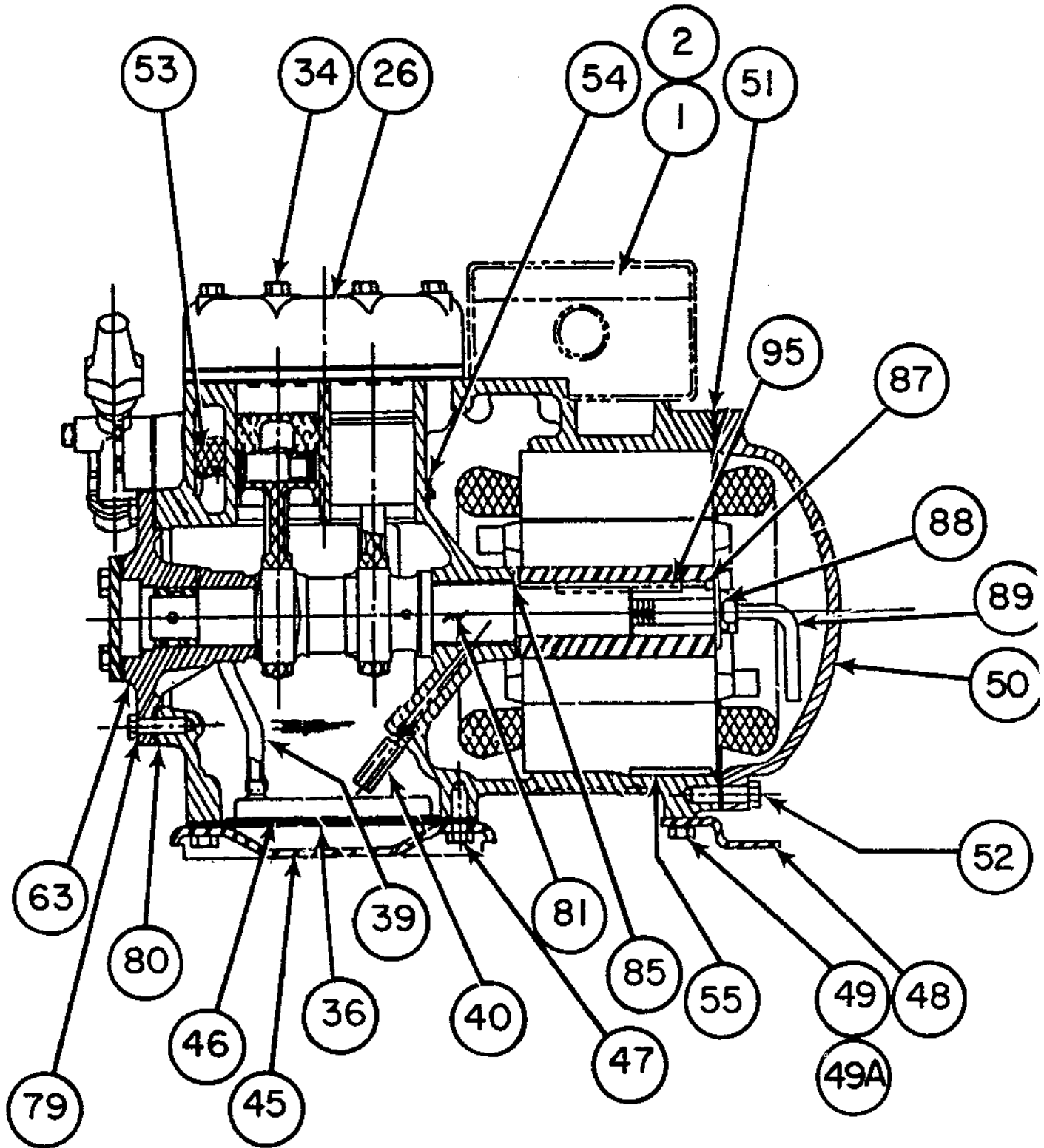
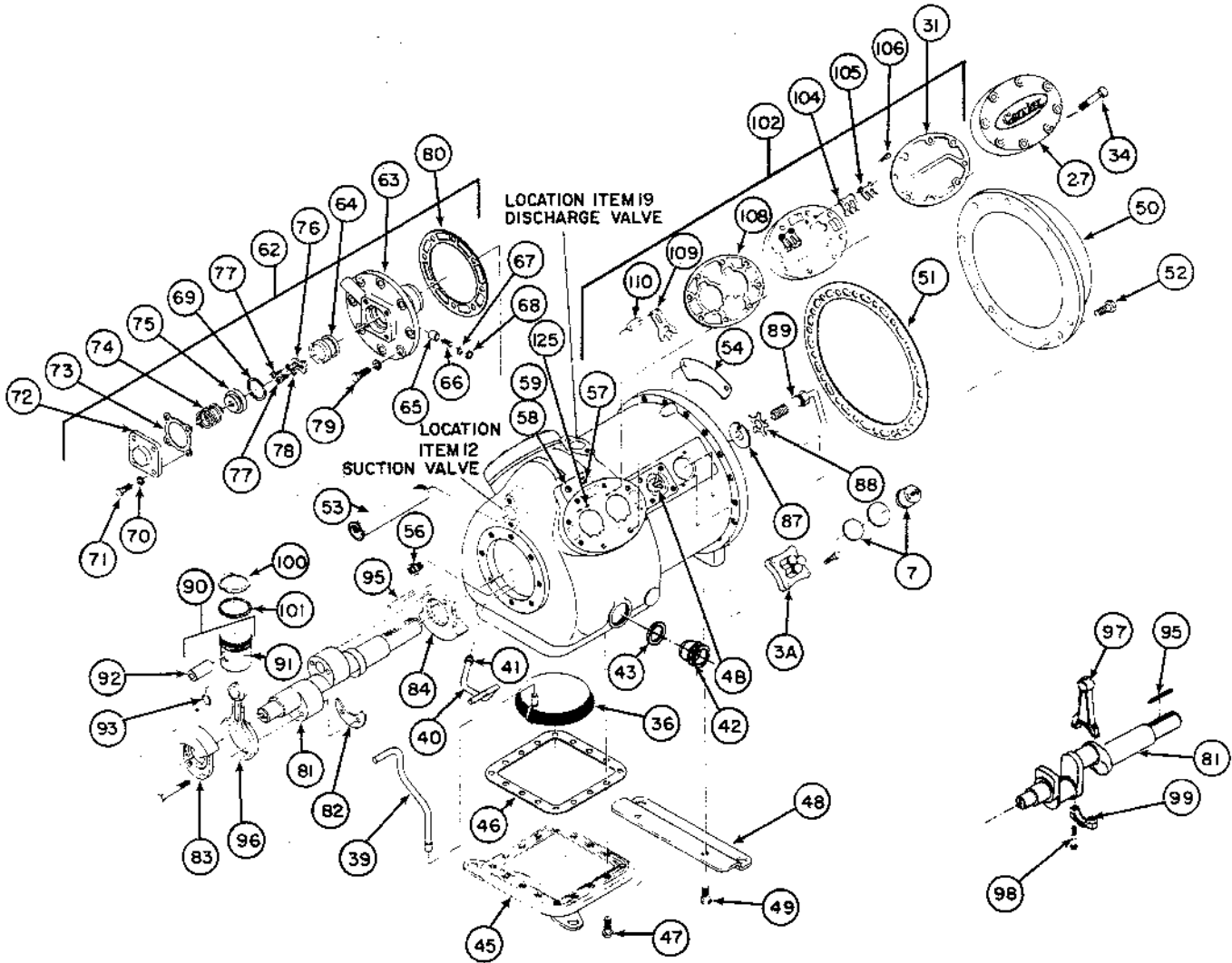


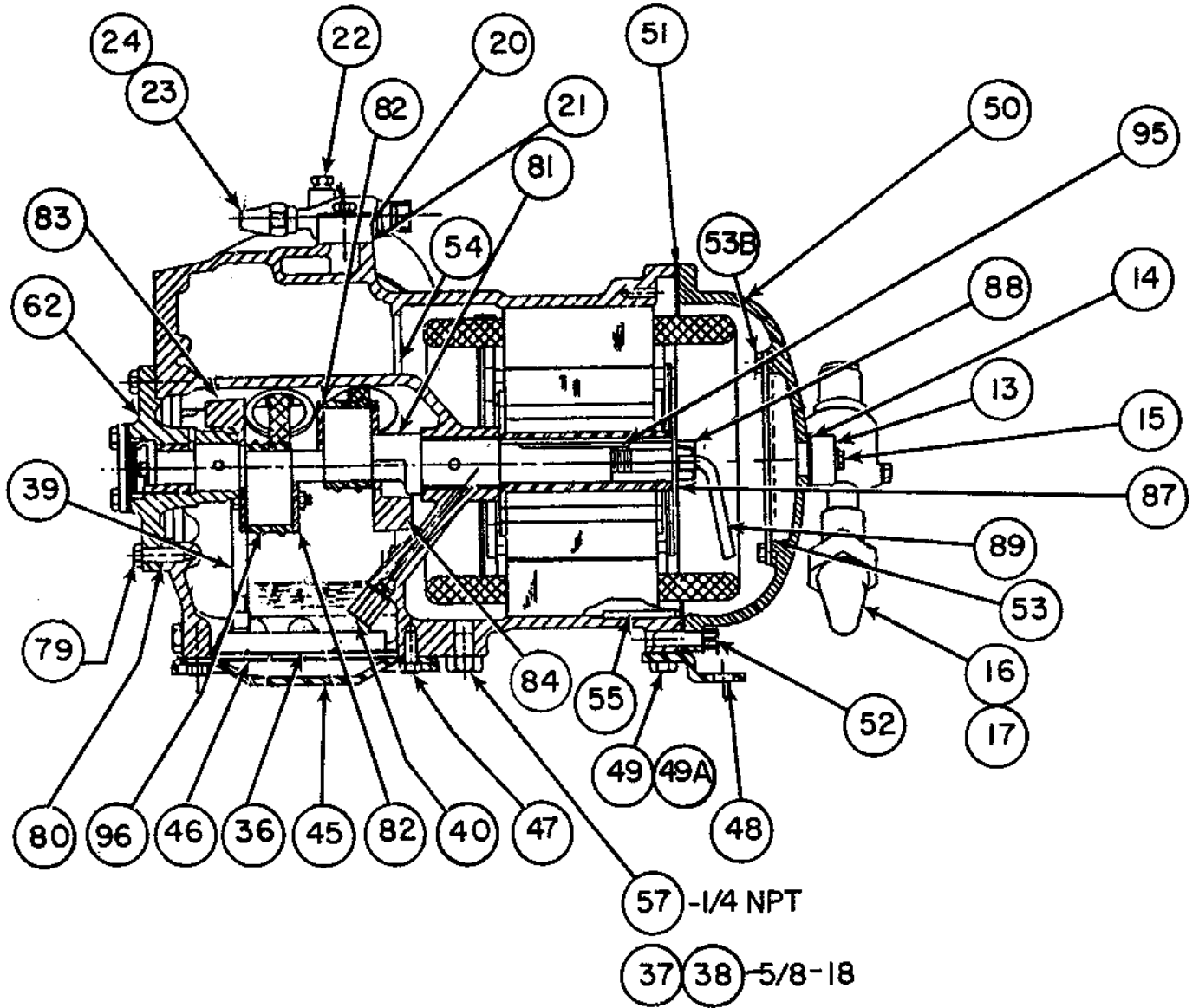
**06D () 108, 808, 409, 809
2 CYLINDER**



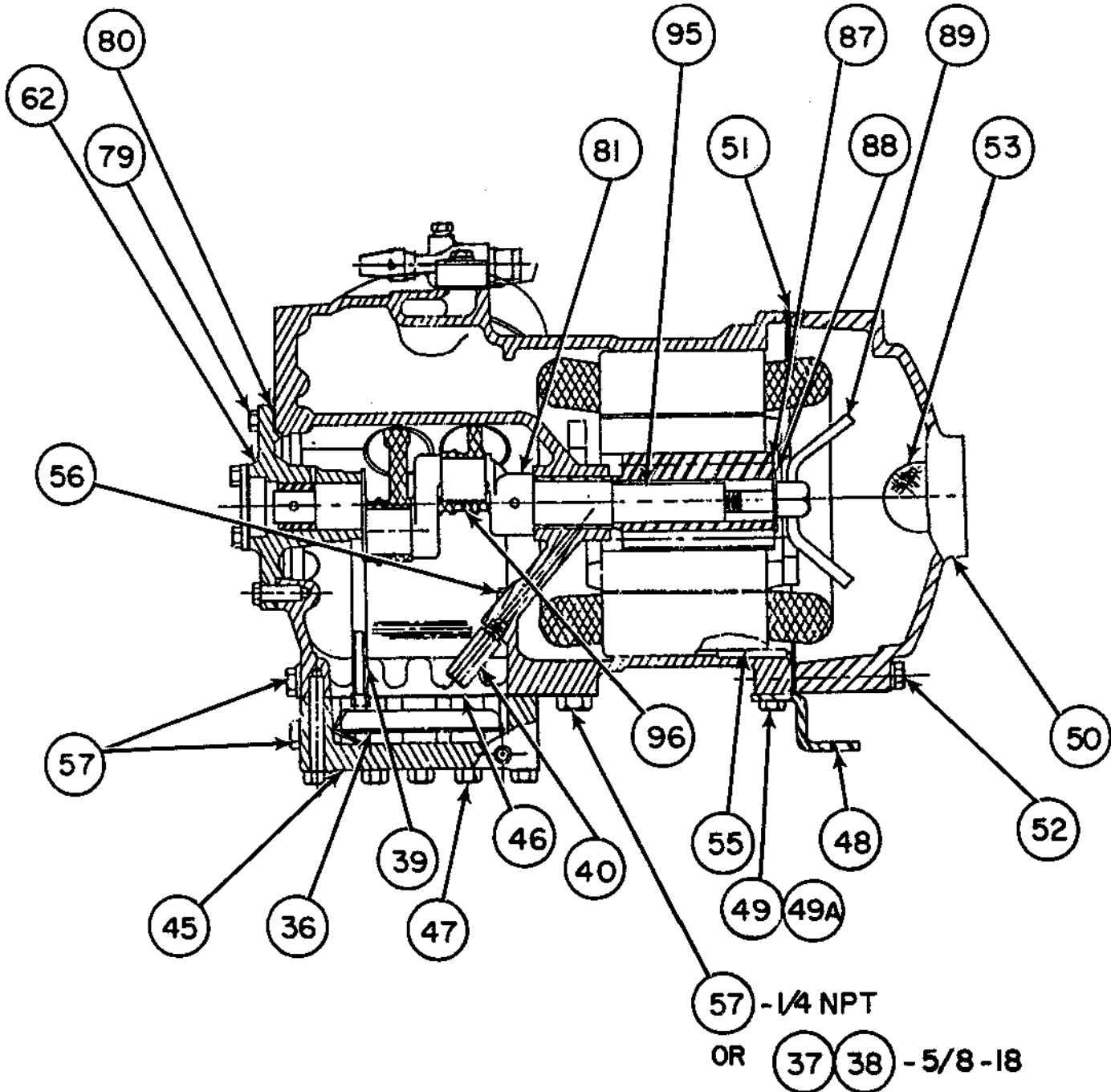
2 CYLINDER



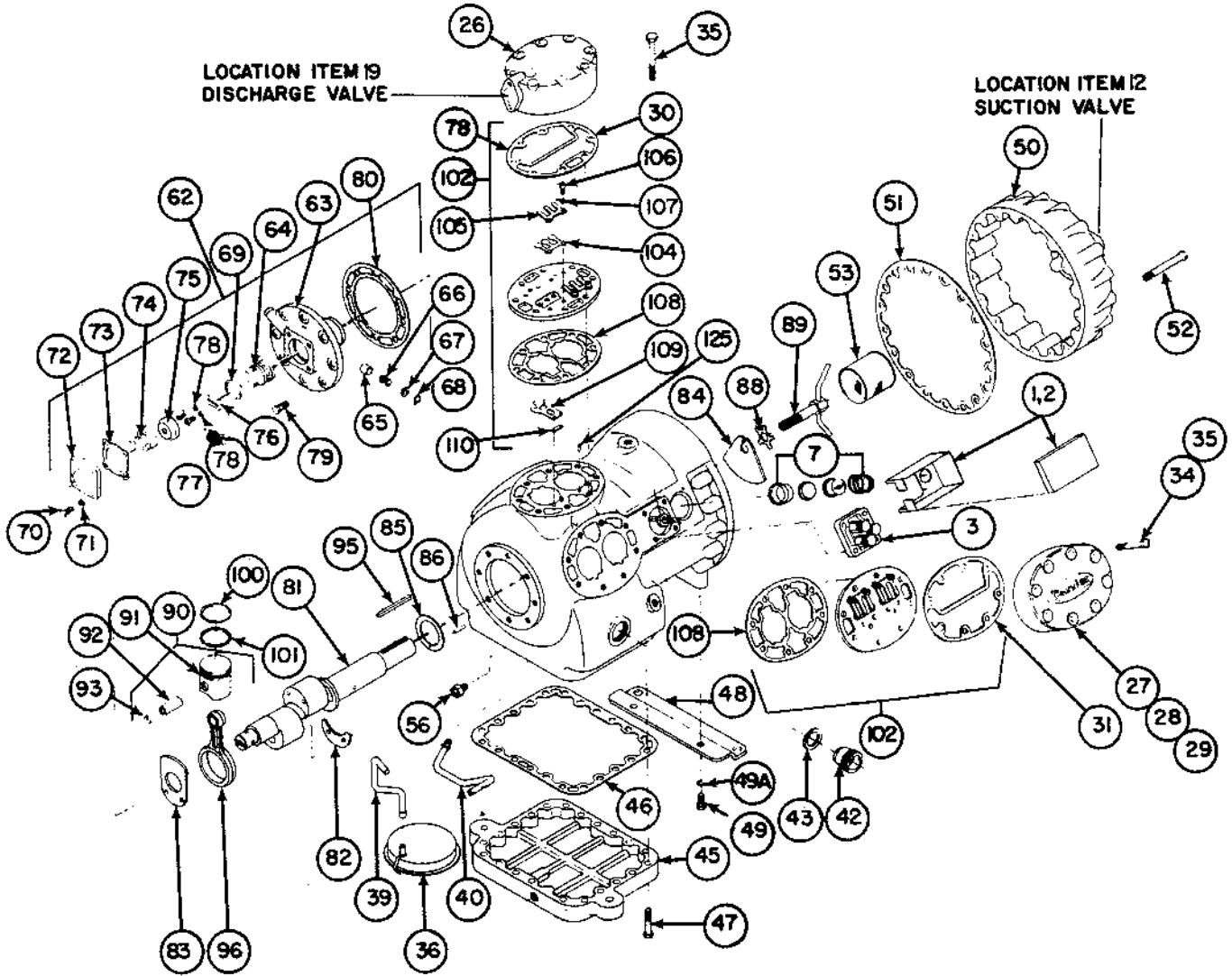
**06 () 313, 316
4 CYLINDER**



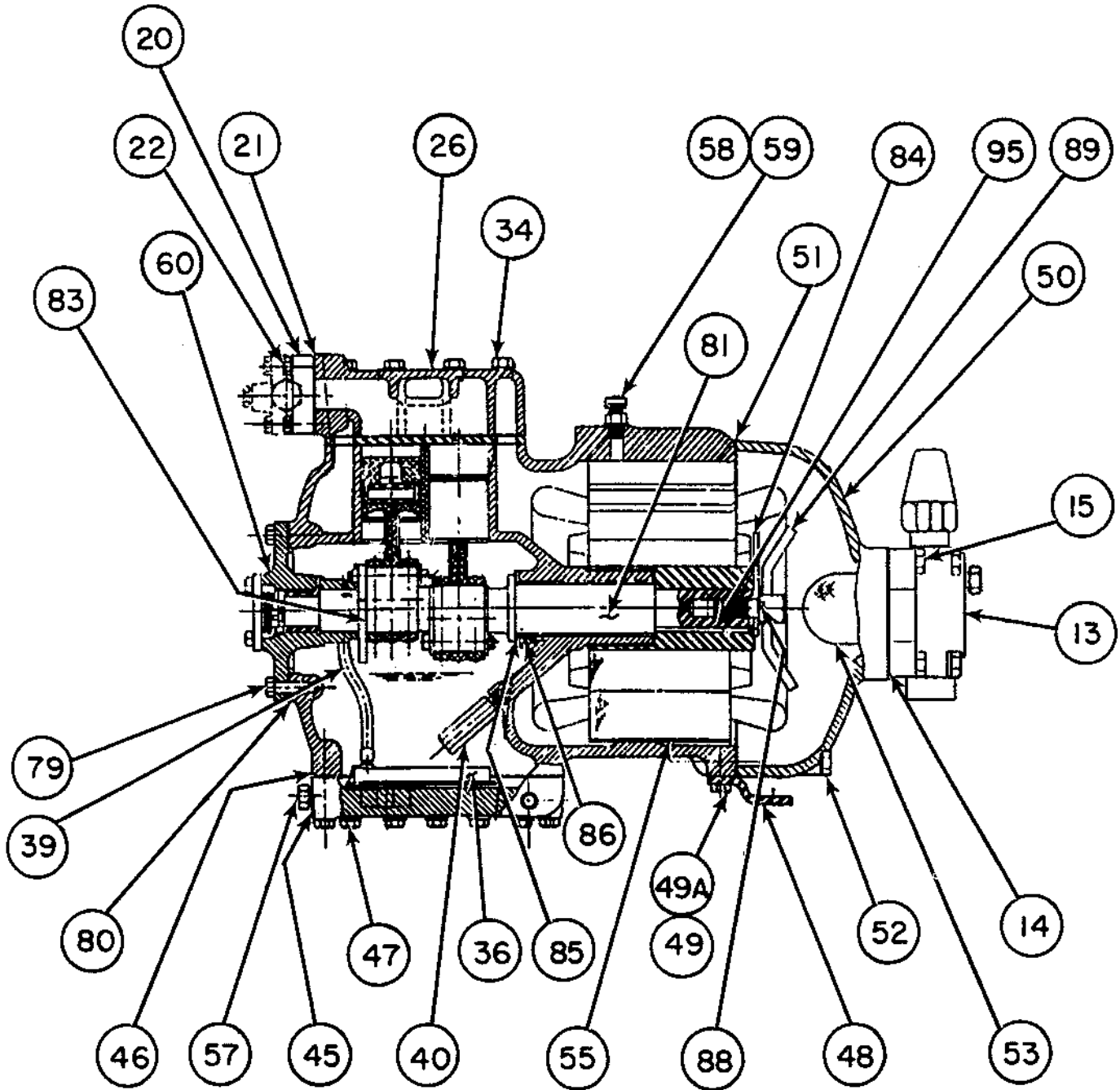
ECCENTRIC STRAP 4 CYLINDER 313, 316



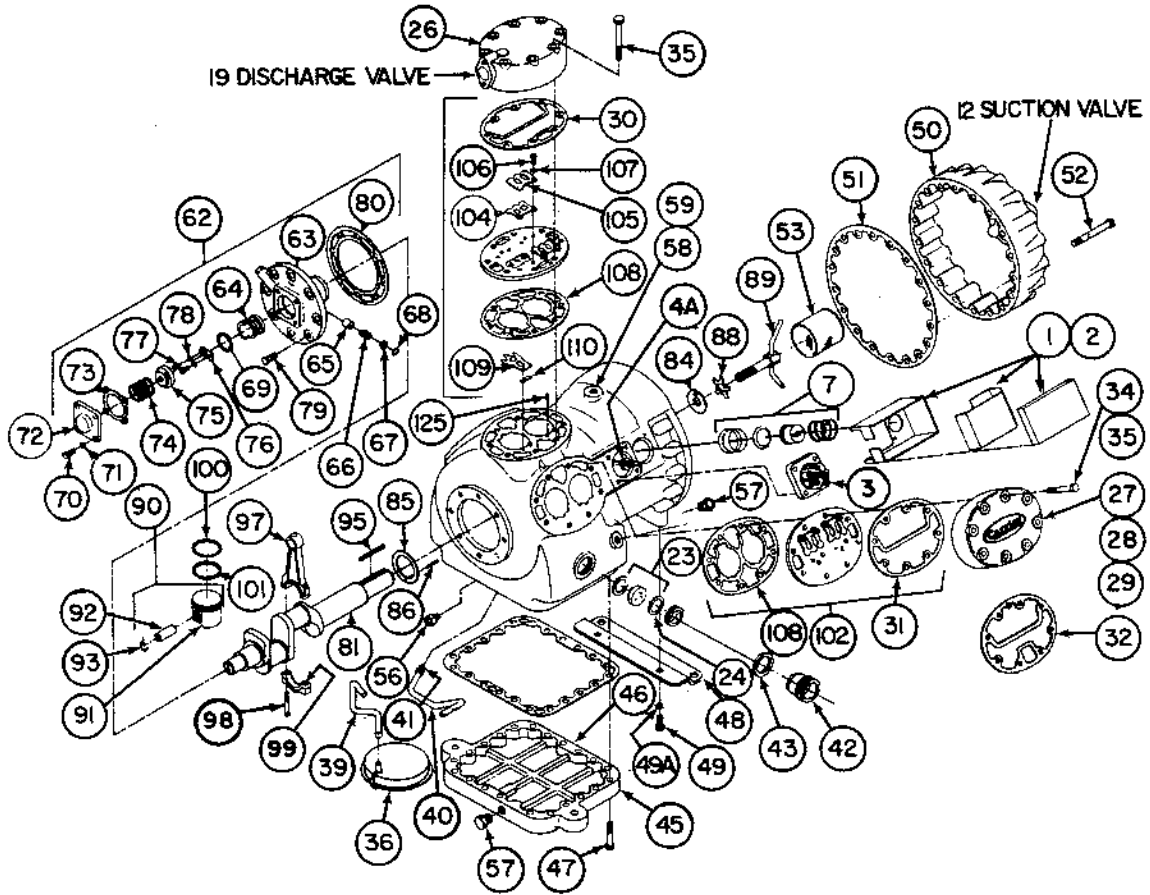
06D () 318, 518, 718, 818
4 CYLINDER



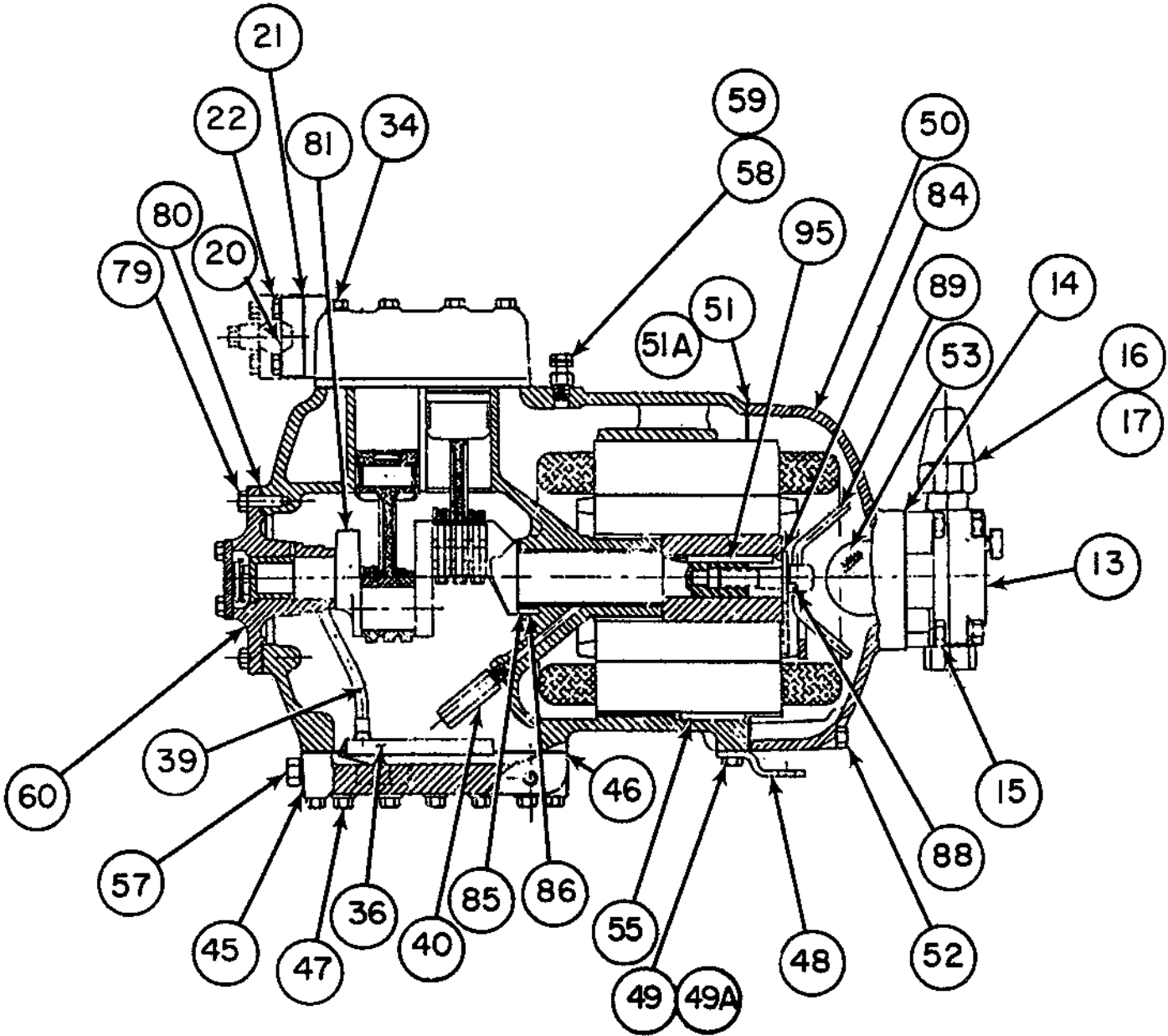
06D () 724 AND 824
6 CYLINDER



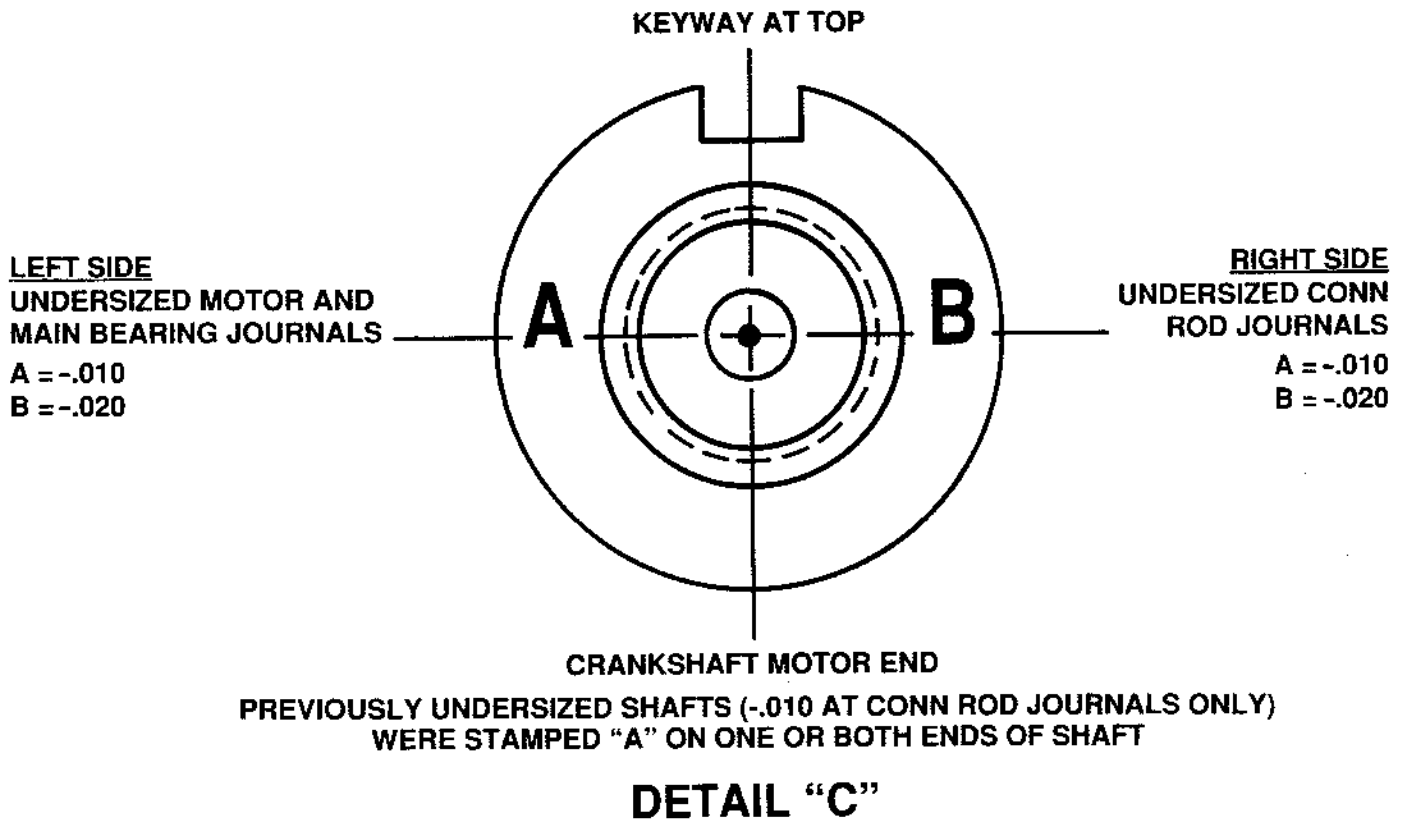
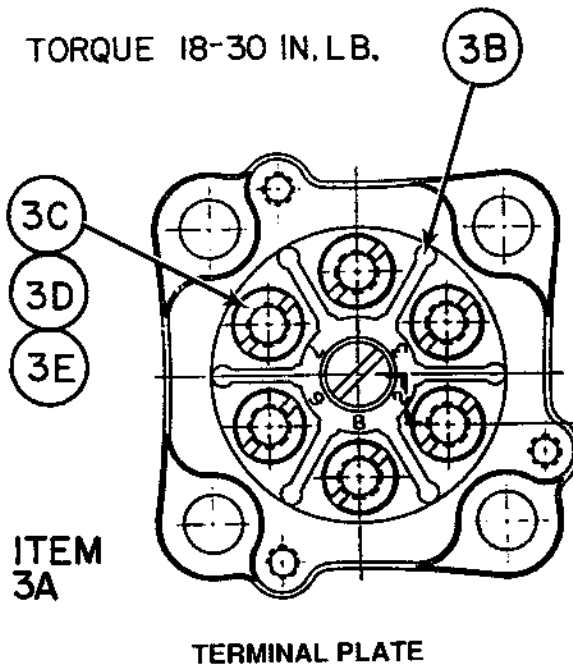
06D () 724 AND 824
6 CYLINDER

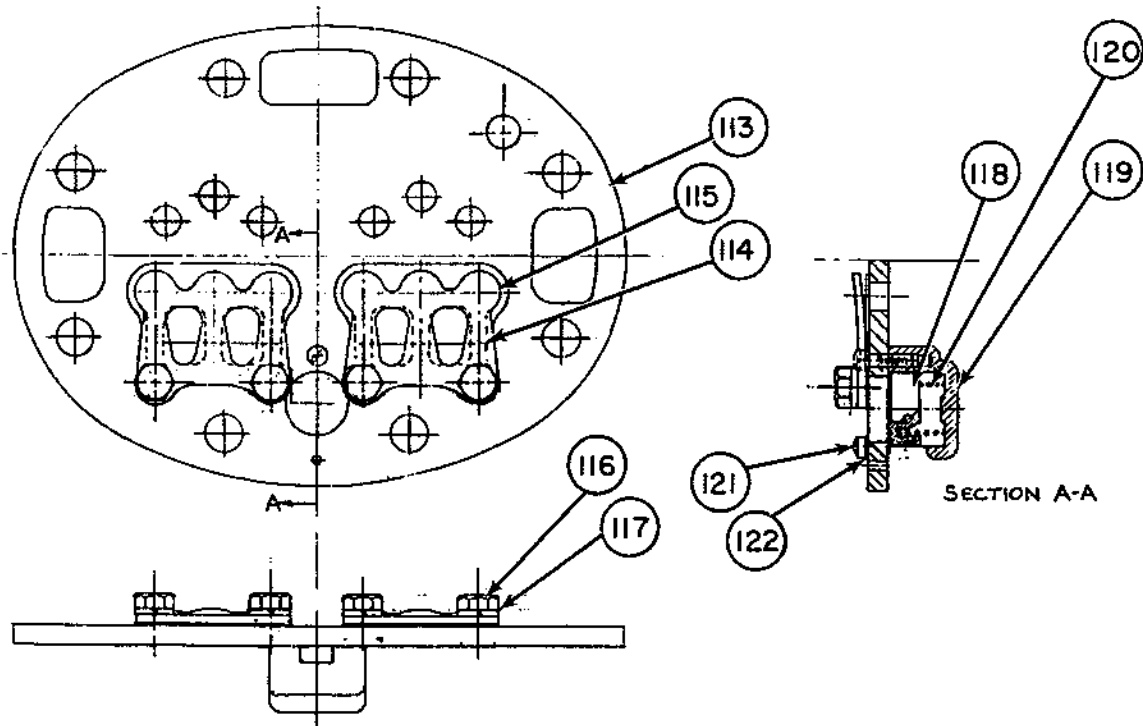


06D () 337, 537
 06D () 328
 6 CYLINDER

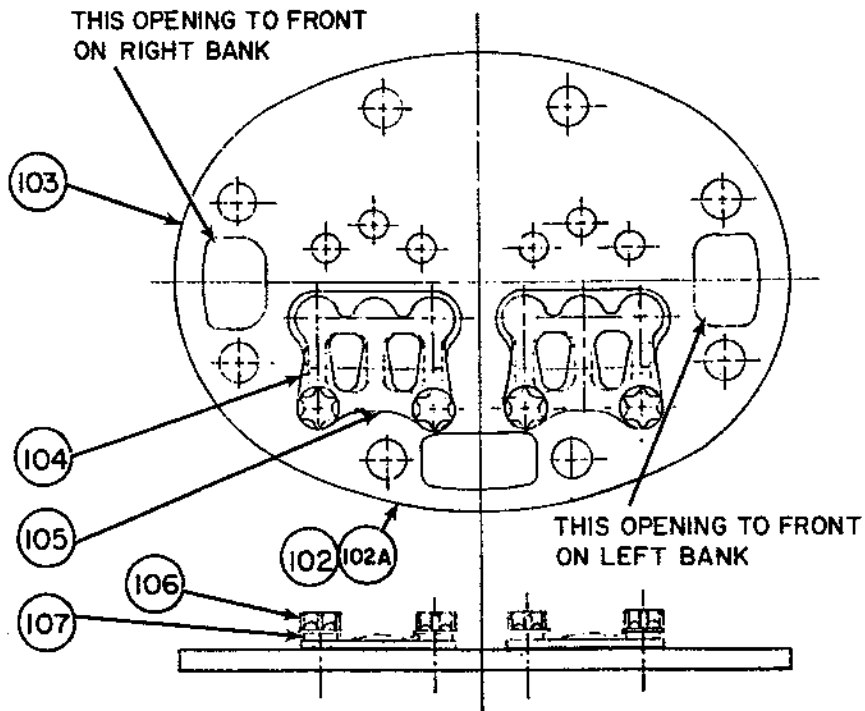


06D () 328, 337, 537
6 CYLINDER

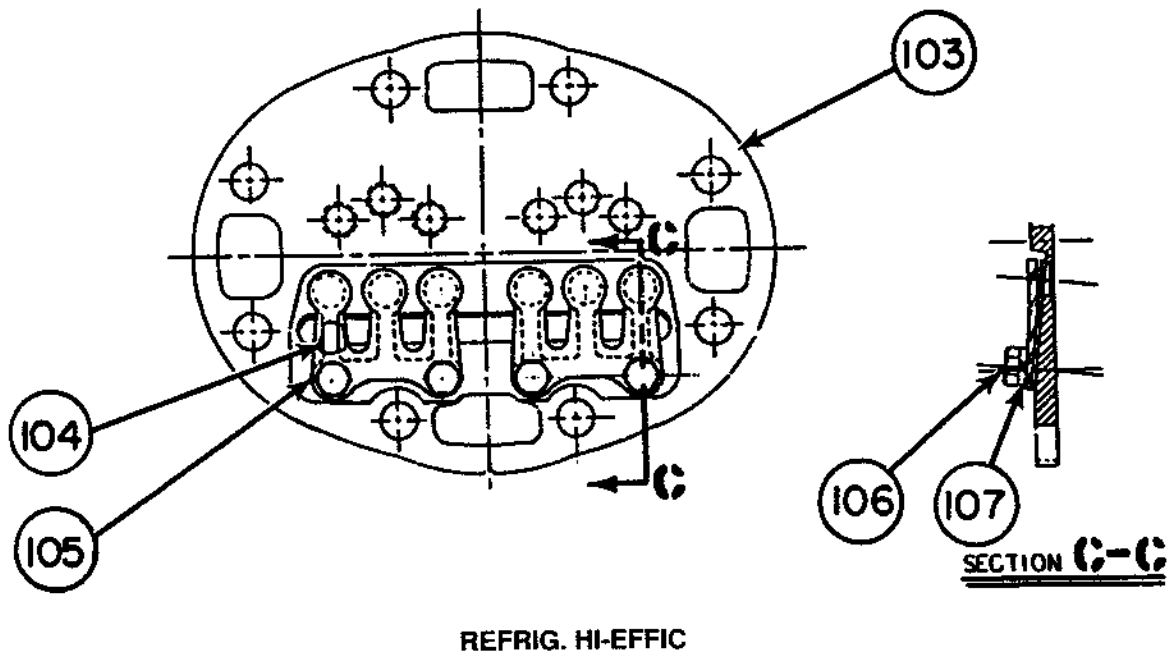
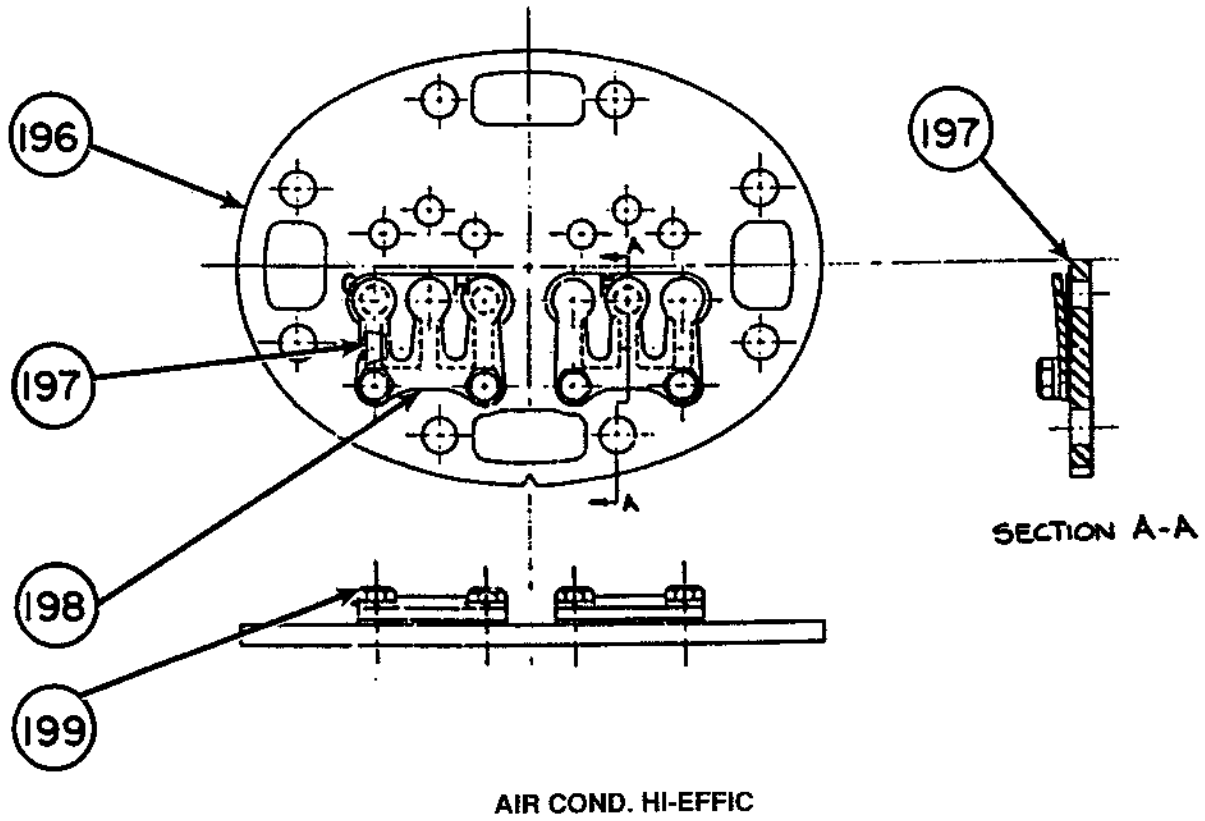


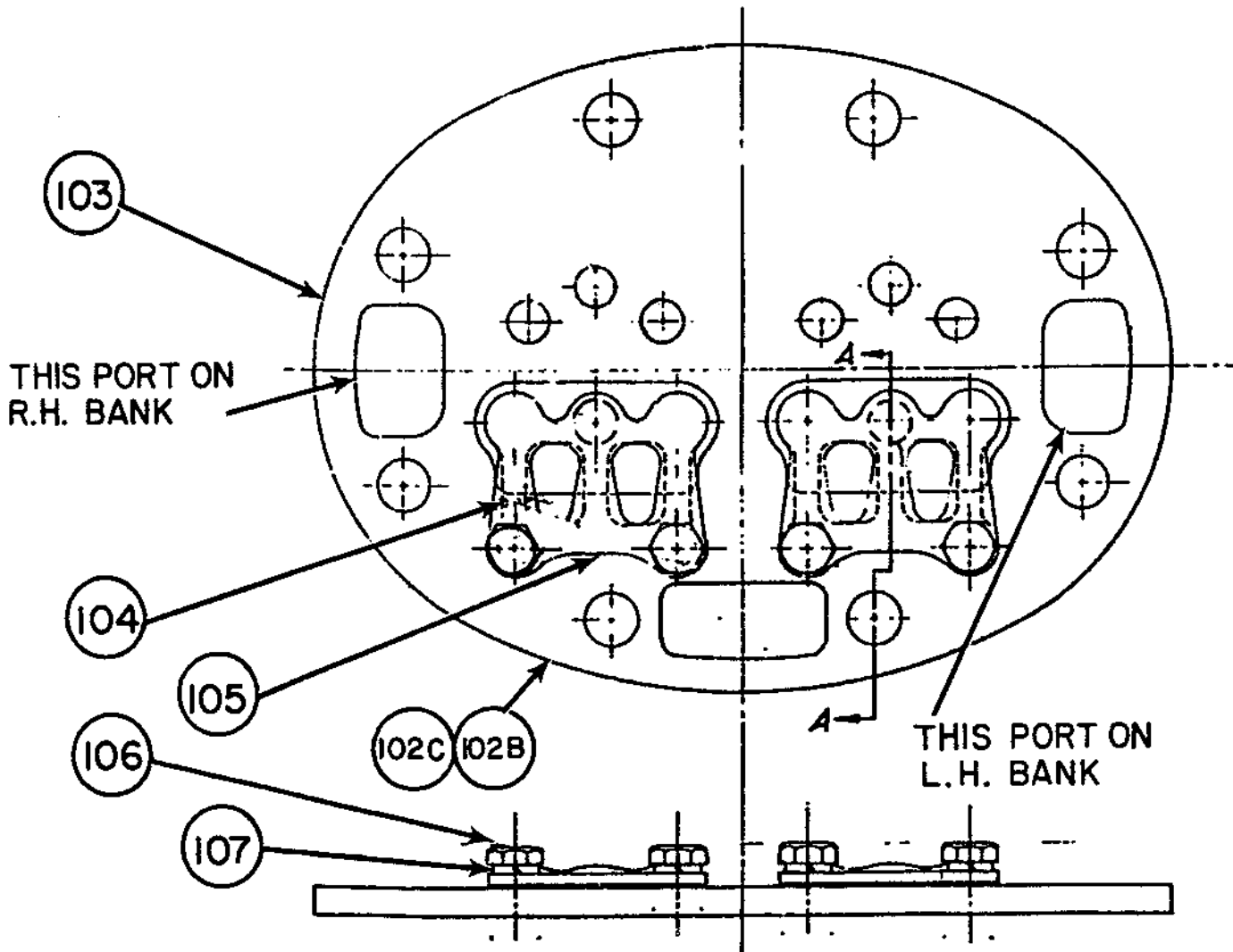


HOT GAS BY-PASS VALVE PLATE

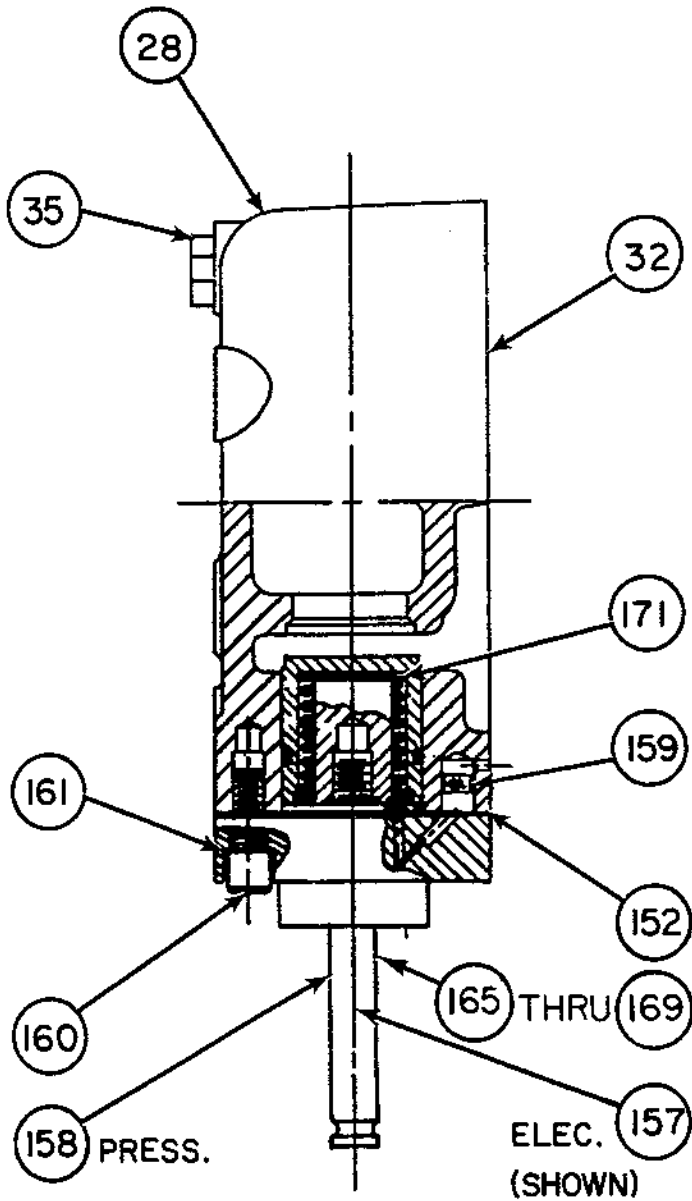


FOR AIR COND. 1.81 BORE

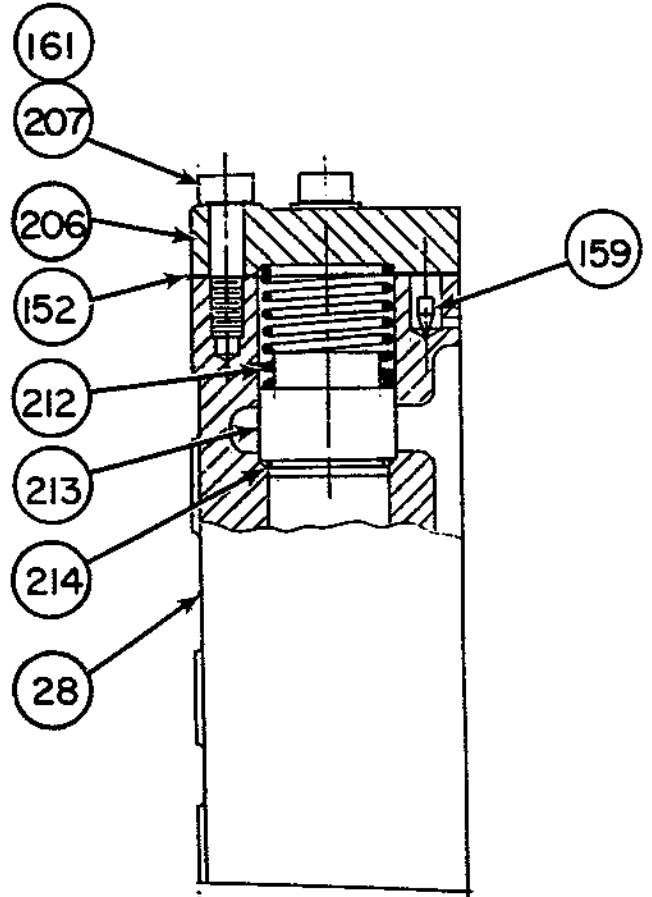




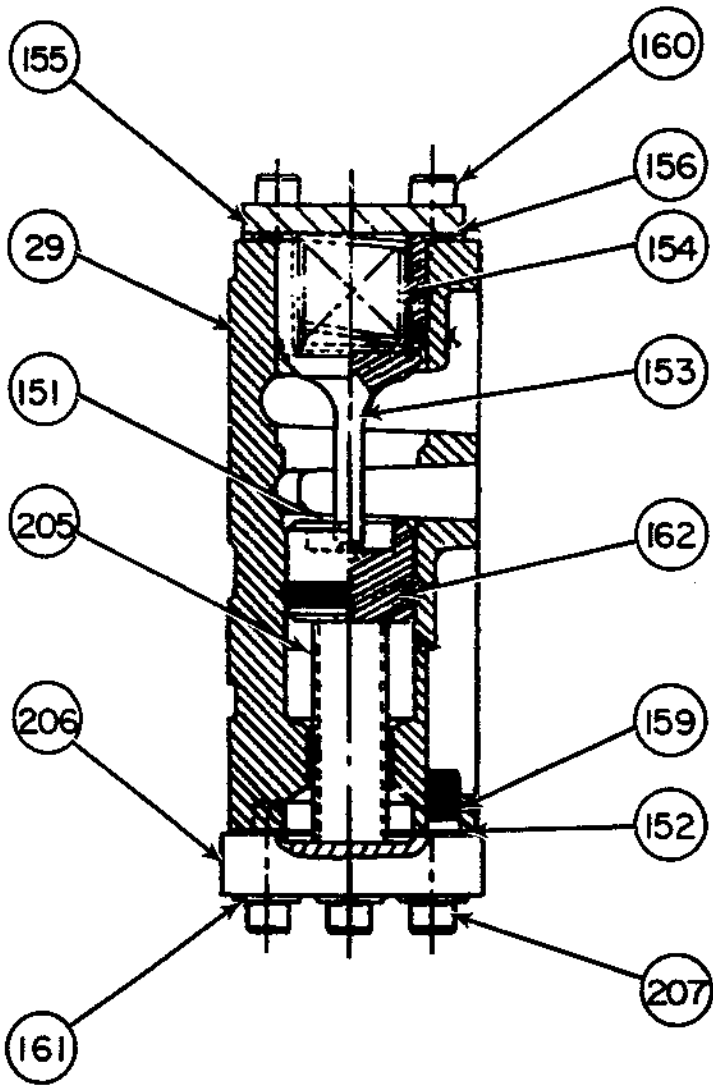
REFRIG. 1.81 BORE 013



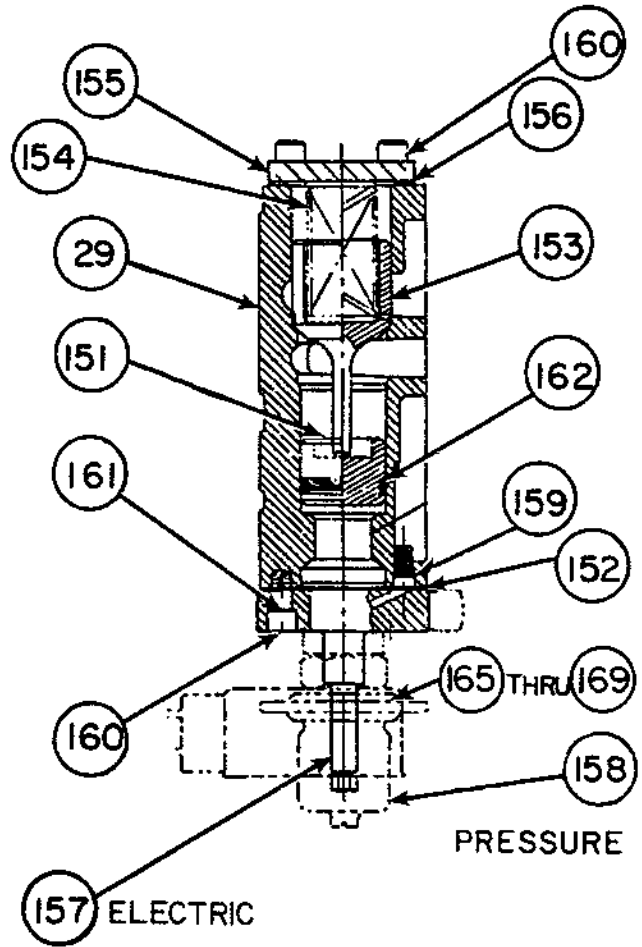
HOT GAS BYPASS



HGBP BLOCKING KIT



SCOU BLOCKING KIT



**SUCTION CUTOFF
CYLINDER HEAD ASSY.**